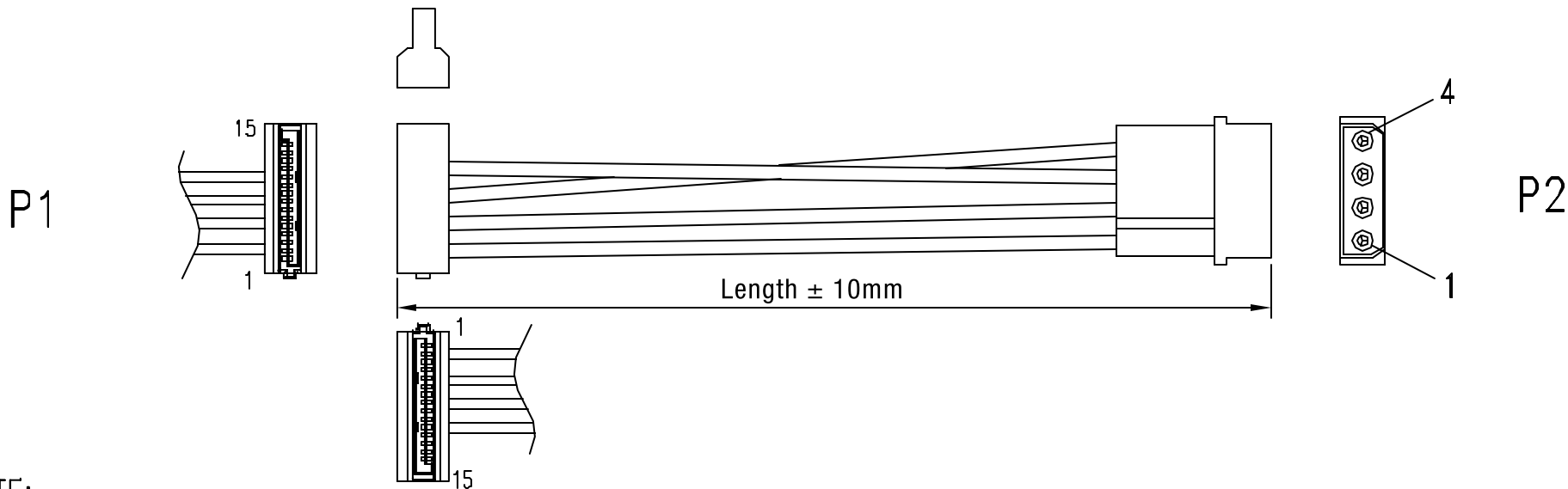


ROHS-COMPLIANT

LTR	REV.	DESCRIPTION	DATE



NOTE:

- HOOK UP WIRE : UL1007 18AWG COLOR:YELLOW, BLACK, RED
- CONNECTOR :
 P1 : 15 PIN SATA SOCKET SOLDER TYPE 15u" GOLD PLATED CONTACT
 P2 : 4 PIN MATE LOCK MALE .
 HOUSING: JWT P/N: C5081HO-4P
 TERMINAL: JWT P/N: C5081TOB-2 .
- HOOD: P1: MOLDED TYPE, PVC 45P, COLOR:BLACK(NK-K01)
- ELECTRICAL TEST: <1>100% OPEN SHORT & MIS WIRE TEST.
 <2>CONTACT RESISTANCE 3 Ohms MAX
 <3>INSULATION RESISTANCE 10M Ohms MIN
- PACKING: 10 PC / POLYBAG

P1		P2
1, 2, 3	<u>YELLOW</u>	1
4, 5, 6	<u>BLACK</u>	2
7, 8, 9	<u>RED</u>	4
10, 11, 12	<u>BLACK</u>	3

Item Number	Length
112055	- 0.15m
112056	- 0.30m
112057	- 0.50m

Tolerance	Inch	M/M
.X	.015	.30
.XX	.010	.10
.XXX	.005	.05



Internal Power Cable
S/ATA angled -> 5,25"