


NOTE:

1. CABLE: 28AWG, NON-UL, AL-FOIL, 9C+1, BEIGE COLOR, PVC JACKET, OD=5.0mm.
 2. LENGTH: 1800mm.
 3. CONNECTOR: DB9M * 1, DB9F * 1 (BLUE INSULATOR)
 4. MOLD: QUICK ASSEMBLY OUT SHELL,
 5. SCREW: LONG SCREW *4
 6. CONTACTS:
- | | | | | | | | | | | |
|------|---|---|---|---|---|---|---|---|---|----|
| DB9M | 1 | 2 | 3 | 4 | 5 | 6 | 7 | 8 | 9 | 64 |
| DB9F | 1 | 2 | 3 | 4 | 5 | 6 | 7 | 8 | 9 | 64 |
7. OPEN/SHORT TEST: 100% TEST.
INSULATION: 1M.

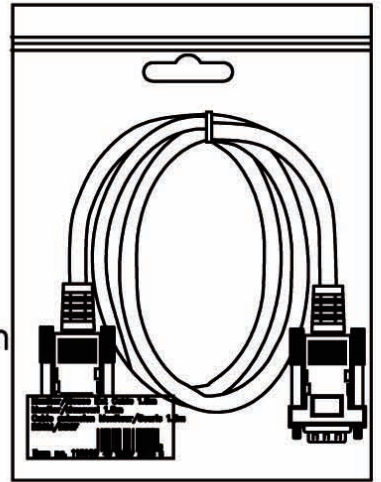
70mm

Monitor/Mouse Ext Cable 1.8m
Monitor/Mausverl 1.8m
Cable extension Moniteur/Souris 1.8m
DB9M/DB9F





item No. 118100 40 158687 21116 8

30mm



PE BAG WITH ZIPPER (245*170*0.08)
100PCS/CTN

COMPANY		ITEM NO.	118100	A2530				
REVISION	DISCRIPTION	DRAWN BY				Monitor Cable DB9/M > DB9/F, beige	SCALE	NON
REV.A/0	PRODUCTION	DESIGNED BY					UNIT(mm)	
		APPROVAL BY					DRAWING NO.	