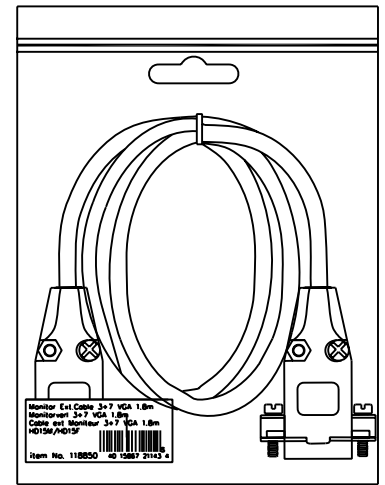
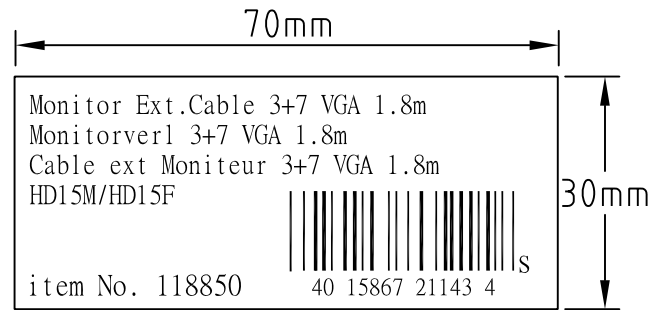


NOTE:

1. CABLE: 28AWG,UL2919,AL+B-FOIL,3COXIAL+7C,BLACK WITH EMOSS,OD=9.0mm,PVC JACKET
2. LENGTH: 1800mm.
3. CONNECTOR: HDB15F\*1, HDB15M\*1 (CUT 9 PIN) (BLUE INSULATOR).
4. MOLD: ASS'Y OUT SHELL
5. SCREW: INCH SHORT SCREWS\*4PCS
6. CONTACTS:
 

HDB15M	1	2	3	6	7	8	4	5	10+11	12	13	14	15	64
HDB15F	1	2	3	6	7	8	4	5	10+11	12	13	14	15	64
	R	G	B	R	G	B								
	C	C	C	G	G	G								
7. OPEN/SHORT TEST: 100% TEST.  
INSULATION: 2M.



PE BAG WITH ZIPPER(245\*170\*0.08)  
50PCS/CTN

COMPANY			ITEM NO.	118850	
REVISION	DATE	DISCRIPTION	DRAWN BY		
REV.A/0	20.10.11	PRODUCTION	DESIGNED BY		
REV.A/1	2005.03.03	MD pin-out	APPROVAL BY		



SCALE	NON
UNIT(mm)	
DRAWING NO.	