

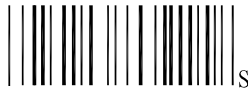
NOTE:

1. CABLE: 28AWG,UL2919,AL+B-FOIL,3COXIAL+7C,BLACK WITH EMBOSS,OD=9.0mm,PVC JACKET
2. LENGTH: 5000mm.
3. CONNECTOR: HDB15F*1,HDB15M*1(CUT 9 PIN)(BLUE INSULATOR).
4. MOLD: ASS'Y OUT SHELL
5. SCREW: INCH SHORT SCREWS*4PCS
6. CONTACTS:

HDB15M	1	2	3	6	7	8	4	5	10+11	12	13	14	15	64
HDB15F	1	2	3	6	7	8	4	5	10+11	12	13	14	15	64
	R	G	B	R	G	B								
	C	C	C	G	G	G								

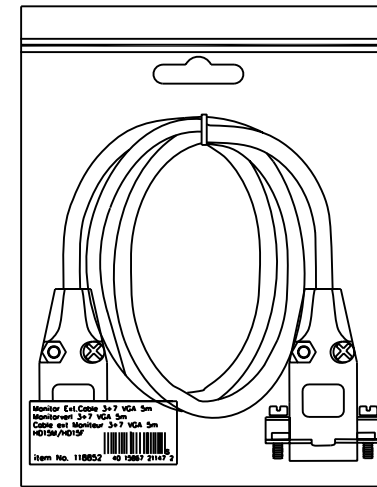
7. OPEN/SHORT TEST: 100% TEST.
INSULATION: 2M.

Monitor Ext.Cable 3+7 VGA 5m
 Monitorverl 3+7 VGA 5m
 Cable ext Moniteur 3+7 VGA 5m
 HD15M/HD15F





item No. 118852 40 15867 21147 2

30mm



PE BAG WITH ZIPPER(310*200*0.08)
 10pcs/BAG(400*520*0.08), 25PCS/CTN

COMPANY			ITEM NO.	118852					SCALE	NON
REVISION	DATE	DISCRIPTION	DRAWN BY						UNIT(mm)	
REV.A/0	20.10.11	PRODUCTION	DESIGNED BY						DRAWING NO.	
REV.A/1	2003.03.24	MD PACKING	APPROVAL BY							
REV.A/2	2005.03.03	MD PIN OUT								