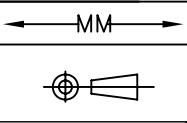


MM
.0 ±0.10
.00 ±0.06
.000±0.03
ANGLES±0.5



equip
121175-v2

6

5

4

3

2

1

F

F

E

E

D

D

C

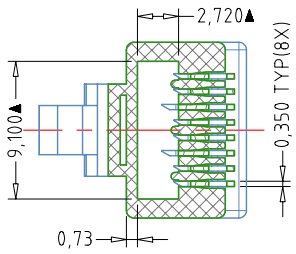
C

B

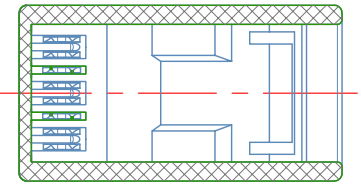
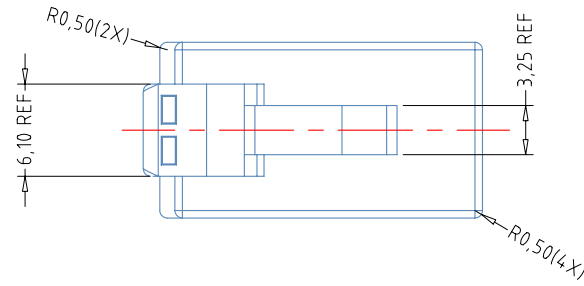
B

A

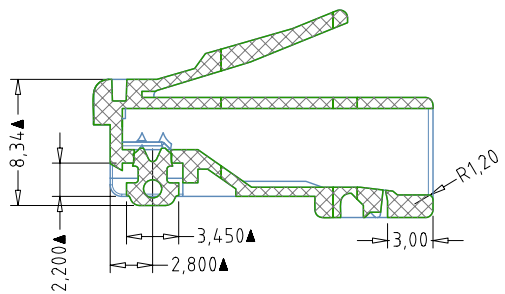
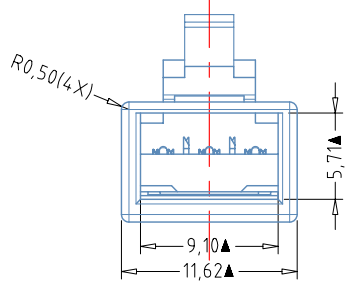
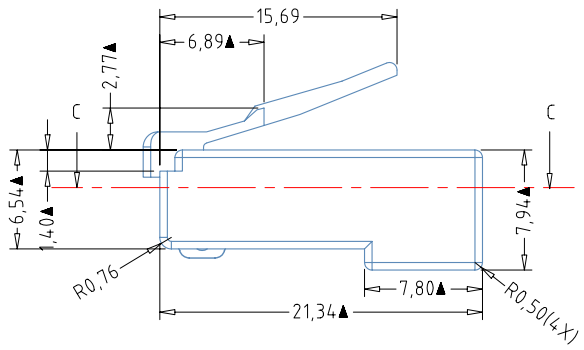
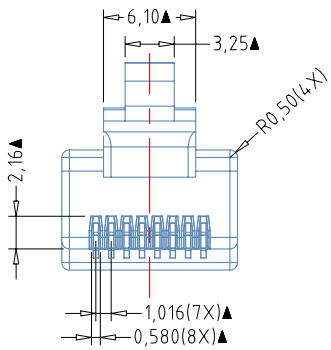
A



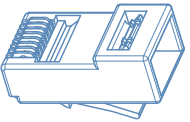
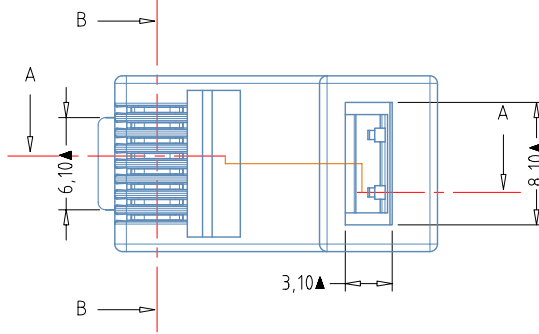
SECTION B-B



SECTION C-C



SECTION A-A



SCALE 1:1

MM	← MM →
.0 ±0.10	
.00 ±0.06	
.000 ±0.03	
ANGLES ±0.5	



121175-v2

6

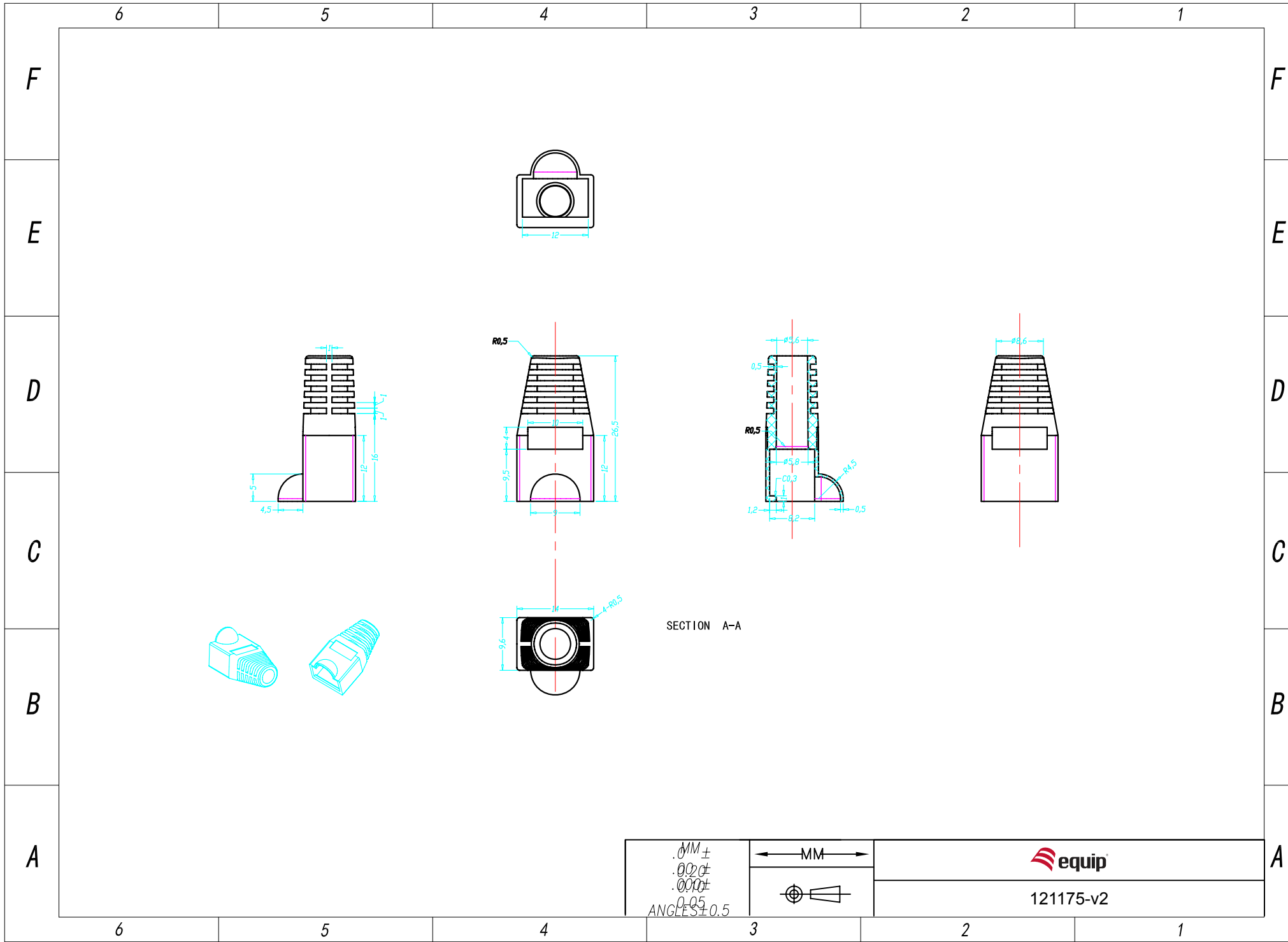
5

4

3

2

1



SECTION A-A

.MM ± .00 ± .000 ± 0.05 ANGLES ±0.5	MM	equip 121175-v2