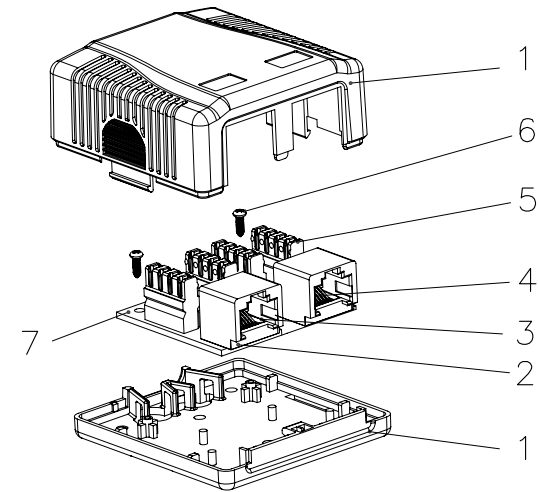
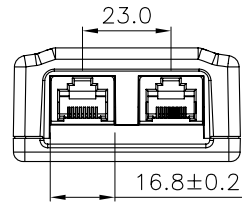
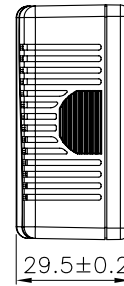
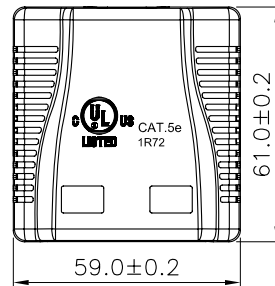
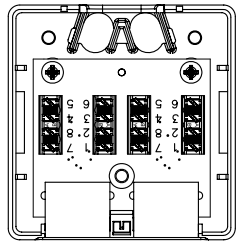
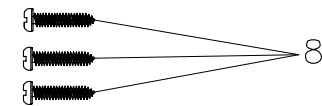


A



SCALE 1/2



SCALE 1/2

Specification :

Material :

1. Case : ABS, UL 94V-0.
2. RJ45 Jack Housing : PBT+Glass Fiber, UL 94V-0, Black color.
3. Contact Bracket : PBT+Glass Fiber, UL 94V-0, Black color.
4. RJ45 Jack Contact :
 - 4-1. Material : Phosphor Bronze with Nickel plated.
 - 4-2. Finish : 50 micro-inch Gold plated on Plug contact area.
5. IDC :
 - 5-1. IDC Housing : PC+Glass Fiber, UL 94V-2.
 - 5-2. IDC Terminal : Phosphor Bronze with Tin plated.
6. Screw : M2.0x6.0xφ3.3mm.
7. PCB : FR4, UL 94V-0
8. Screw : M3.5x16.0xφ6.0mm.

Performance :

- a. T568A & T568B wiring printing on IDC.
- b. Insertion force : 20N max. (IEC 60603-7-4).
- c. Retention strength : 7.7 kg between Jack and Plug.
- d. Operating temperature : -10°C to 60°C. (ISO/IEC 11801, ANSI/TIA/EIA 568 B.2)
- e. Life(mating cycles) :
 - *Jack : 750 cycles min. (ISO/IEC 11801, IEC 60603-7-4).
 - *IDC : Suitable for 22-26 AWG stranded and solid wire, compatible with both 110 & Krone punch down tools.
- f. The Cat.5e transmission performance is in compliance with the ANSI/TIA/EIA 568 B.2 standard.

235112

1

2

0

3

4

10cm

5

6

A

B

C

D