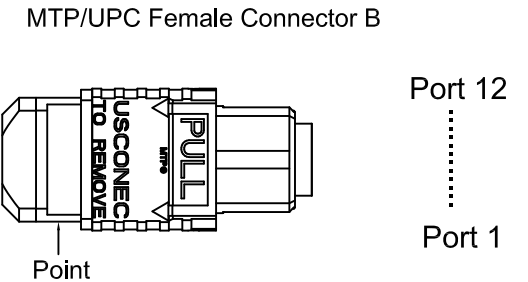
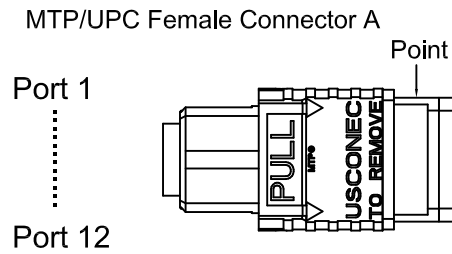
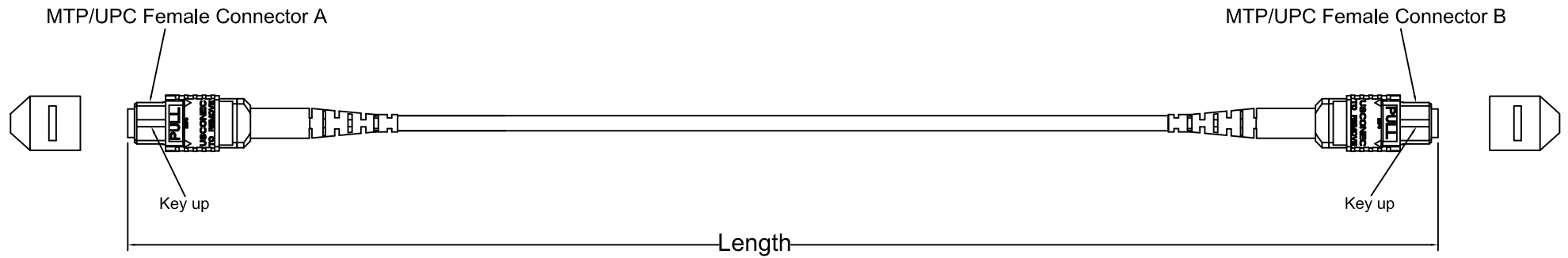


# 12 CORE FIBER OPTIC CABLE MTP/UPC-MTP/UPC 50/125 OM4 , TYPE B



Connector A

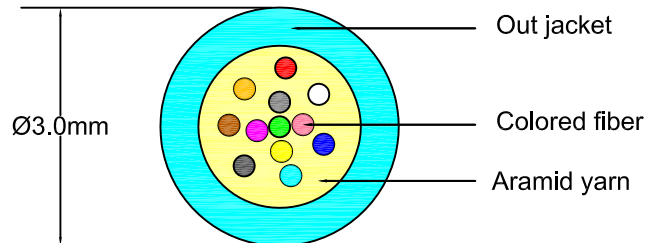
Port 1	Port 2	Port 3	Port 4	Port 5	Port 6	Port 7	Port 8	Port 9	Port 10	Port 11	Port 12
Blue	Orange	Green	Brown	Gray	White	Red	Black	Yellow	Purple	Pink	Aqua

Connector B

Port 12	Port 11	Port 10	Port 9	Port 8	Port 7	Port 6	Port 5	Port 4	Port 3	Port 2	Port 1
Blue	Orange	Green	Brown	Gray	White	Red	Black	Yellow	Purple	Pink	Aqua

## Specifications:

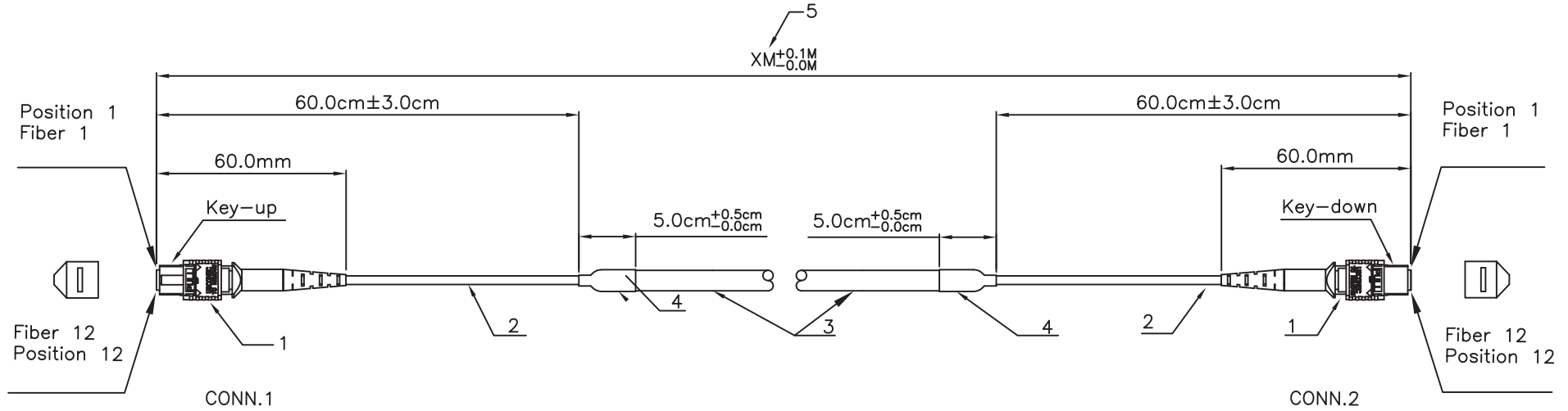
Fiber Mode	MM
Type	MTP/UPC-MTP/UPC
Cable Diameter(mm)	Φ 3.0
Cable Color	Aqua
Core Diameter(um)	9/125
Insertion Loss(dB)	≤0.75
Return Loss(dB)	≥20
Operating Temperature(°C)	-20~+70
Storage Temperature (°C)	-20~+70



UNIT	mm	PAGE	1/1	MODEL	Patchcord
SCALE	--	DRAW	Shen	DRAW NO.	MTP/UPC-MTP/UPC-001
MAT.		CHECK		NAME	12 CORE MTP-MTP
DATE	27-Jun-18	APPR.		MAT_NO.	MTP/UPC-MTP/UPC-001



# 12 CORE FIBER OPTIC CABLE MTP/UPC-MTP/UPC 50/125 OM4 , TYPE A



Specification :  
 Material :  
 1. MTP Connector : Female

Mode	MT Ferrule	Housing	Boot	Cap
MM	12 Fibers MM Black(PPS)	Ivory/Black/Aqua/Violet(PBT)	Black(TPR)	Black(TPR)
MM Low Loss	12 Fibers MM Low Loss Black(PPS)	Aqua/Violet(PBT)	Black(TPR)	Black(TPR)
SM APC	12 Fibers SM Black(PPS)	Green(PBT)	Black(TPR)	Black(TPR)
SM Low Loss	12 Fibers SM Low Loss Black(PPS)	Yellow(PBT)	Black(TPR)	Black(TPR)

CONN.1 Fiber Number	Coating Color	CONN.2 Fiber Number
Fiber 1	Blue	Fiber 1
Fiber 2	Orange	Fiber 2
Fiber 3	Green	Fiber 3
Fiber 4	Brown	Fiber 4
Fiber 5	Gray	Fiber 5
Fiber 6	White	Fiber 6
Fiber 7	Red	Fiber 7
Fiber 8	Black	Fiber 8
Fiber 9	Yellow	Fiber 9
Fiber 10	Purple	Fiber 10
Fiber 11	Pink	Fiber 11
Fiber 12	Aqua	Fiber 12

2&3. Cable Type : 12C Trunk

Category	Jacket O.D.	Jacket Material	Color
OM1(62.5/125um)	ø3.0mm&ø6.5mm	PVC OFNR/PVC OFNP/LSFRZH	Orange
OM2(50/125um)	ø3.0mm&ø6.5mm	PVC OFNR/PVC OFNP/LSFRZH	Orange
OM3(50/125um)	ø3.0mm&ø6.5mm	PVC OFNR/PVC OFNP/LSFRZH	Aqua
OM4(50/125um)	ø3.0mm&ø6.5mm	PVC OFNR/PVC OFNP/LSFRZH	Violet
G.652D(9/125um)	ø3.0mm&ø6.5mm	PVC OFNR/PVC OFNP/LSFRZH	Yellow
G.657A2(9/125um)	ø3.0mm&ø6.5mm	PVC OFNR/PVC OFNP/LSFRZH	Yellow

4. Heat Shrink Tubing Length : 5.0cm  
 5. Length : X Meter

Performance :

a. Insertion Loss & Return Loss :

	MM	MM Low Loss	SM APC	SM Low Loss
Insertion Loss	<0.5 dB	<0.35 dB	<0.75 dB	<0.35 dB
Return Loss			≥60 dB	≥60 dB

b. Fiber Overcut(MTP) : 1.0~3.0um  
 c. Operating Temperature : -20°C to +70°C  
 d. Storage Temperature : -40°C to +80°C

