

## 23"-55" Tilt/Swivel TV Wall Mount Bracket

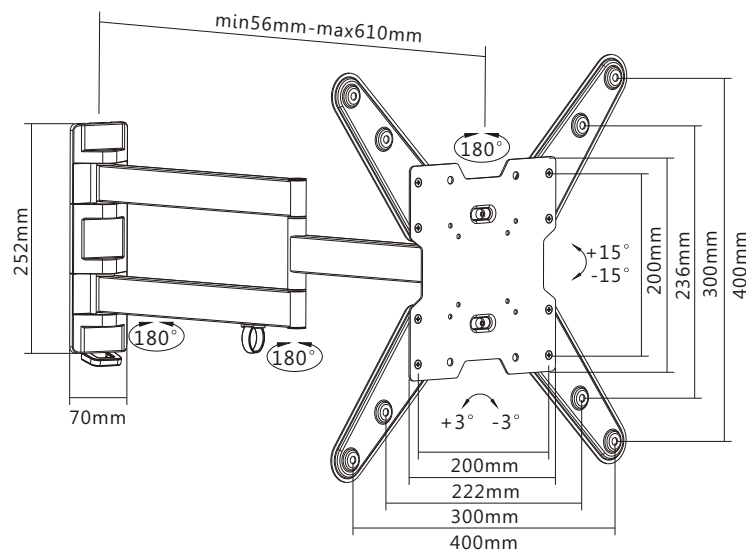
Model No.: 650105



### I Overview

The equip<sup>®</sup> TV Wall Mount Bracket is a compact but sturdy product that ensures a reliable installation of your LCD/Plasma TV. Follow the graphic guide included in the package, you can install your TV on your own with ease. The wall bracket fits most of the wall materials- brick, concrete and wood, making the ideal choice for you to set up your screens.

### I Drawing



### I Key Features

- Swivel and tilt wall mount
- Adjustment knob enables a full range of tilt/swivel
- Swiveling arm offer maximum viewing flexibility
- VESA standards compliant

### I Specification

<b>Material</b>	Steel, Plastic
<b>Surface Finished</b>	Powder Coating
<b>Color</b>	Black
<b>Dimension</b>	610x450x450mm
<b>Pipe Size</b>	40x20x1.5mm
<b>Suggested Screen Size</b>	23"-55"
<b>Support Curved TV</b>	Yes
<b>Load Capacity</b>	35KG
<b>VESA Mount Standard</b>	75x75, 100x100, 100x200, 200x100, 200x200, 300x300, 400x200, 400x400
<b>Max. VESA</b>	400x400mm
<b>Mounting Hole Pattern</b>	Standard VESA
<b>Distance to Wall</b>	56 ~ 610mm
<b>Screen Freely Tilting</b>	Yes
<b>Tilt Range</b>	-15° ~ +15°
<b>Screen Level</b>	-3° ~ +3°
<b>Swivel Range</b>	±90°
<b>Installation</b>	Single Stud
<b>Wall Plate Type</b>	Fixed Wall Plate
<b>Anti-Theft</b>	No
<b>Cable Management</b>	Yes

### I Package Contents

- 1 x Wall Mount Bracket
- 1 x Screw Pack
- 1 x Quick Installation Guide

