

## 13"-42" Articulating TV Wall Mount Bracket

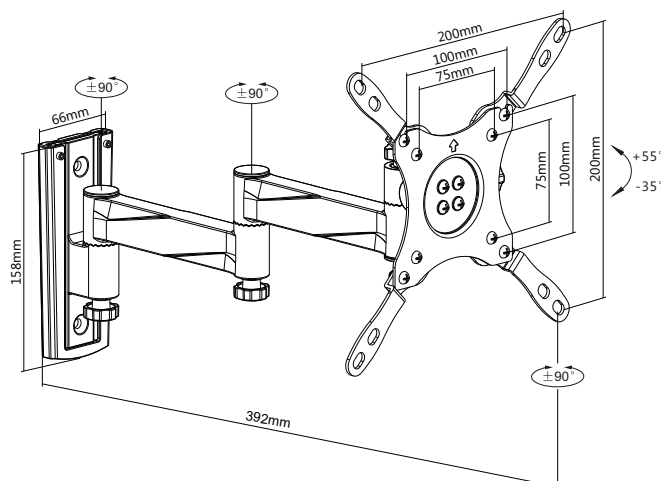
Model No.: 650107



### I Overview

The equip<sup>®</sup> TV Wall Mount Bracket is a compact but sturdy product that ensures a reliable installation of your LCD/Plasma TV. Follow the graphic guide included in the package, you can install your TV on your own with ease. The wall bracket fits most of the wall materials- brick, concrete and wood, making the ideal choice for you to set up your screens.

### I Drawing



## I Key Features

- Swivel and tilt wall mount
- Adjustment knob enables a full range of tilt/swivel
- Integrated bubble level assures easy installation alignment
- VESA standards compliant
- Integrated cable management system

## I Specification

<b>Material</b>	Steel, Aluminum
<b>Surface Finished</b>	Powder Coating
<b>Color</b>	Black, Silver
<b>Dimension</b>	221x298x390mm
<b>Suggested Screen Size</b>	13"-42"
<b>Support Curved TV</b>	No
<b>Load Capacity</b>	15KG
<b>VESA Mount Standard</b>	75x75, 100x100, 200x100, 200x200,
<b>Max. VESA</b>	200x200mm
<b>Mounting Hole Pattern</b>	Standard VESA
<b>Distance to Wall</b>	392mm
<b>Screen Freely Tilting</b>	No
<b>Tilt Range</b>	-35° ~ +55°
<b>Swivel Range</b>	-90° ~ +90°
<b>Installation</b>	Single Stud
<b>Wall Plate Type</b>	Slide-In Wall Plate
<b>Anti-Theft</b>	No
<b>Cable Management</b>	Yes

## I Package Contents

- 1 x Wall Mount Bracket
- 1 x Screw Pack
- 1 x Quick Installation Guide