

## 13"-27" Articulating Monitor Desk Mount Bracket

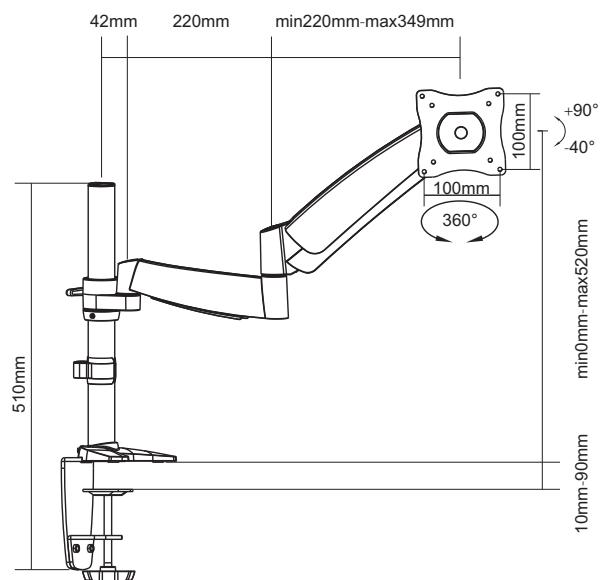
Model No.: 650112



### I Overview

The equip<sup>®</sup> Monitor Desk Mount Bracket is a compact but sturdy product that ensures a reliable installation of your LCD/LED monitor. Follow the graphic guide included in the package, you can install your monitor on your own with ease.

### I Drawing



[www.equip-info.net](http://www.equip-info.net)

## I Key Features

- Built in Gas Spring
- Easy to adjust height
- Built in cable management
- VESA standards compliant

## I Specification

<b>Material</b>	Aluminum, Plastic
<b>Surface Finished</b>	Chrome-Plating, Powder Coating
<b>Color</b>	Metallic Grey
<b>Dimension</b>	651x663x160mm
<b>Installation</b>	Grommet, Clamp
<b>Suggested Screen Size</b>	13" - 27"
<b>Support Curved TV</b>	No
<b>Screen Q'ty</b>	1
<b>Load Capacity</b>	9KG
<b>VESA Mount Standard</b>	75x75, 100x100
<b>Tilt Range</b>	+90° ~ -40°
<b>Swivel Range</b>	+90° ~ -90°
<b>Screen Rotation</b>	+180° ~ -180°
<b>Arm Full Extension</b>	500mm
<b>Pole Height</b>	360mm
<b>Suggest Desktop Thickness</b>	Clamp: 10 ~ 90mm
<b>Quick Release VESA Plate</b>	No
<b>Anti-Theft</b>	No
<b>Cable Management</b>	Yes

## I Package Contents

- 1 x Monitor Desk Mount Bracket
- 1 x Screw Pack
- 1 x Quick Installation Guide

