

## 32"-55" Tilt TV Wall Mount Bracket

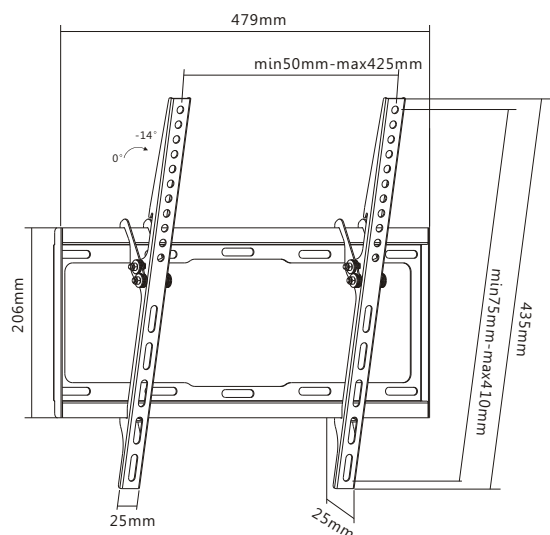
Model No.: 650311



### I Overview

The equip<sup>®</sup> TV Wall Mount Bracket is a compact but sturdy product that ensures a reliable installation of your LCD/Plasma TV. Follow the graphic guide included in the package, you can install your TV on your own with ease. The wall bracket fits most of the wall materials- brick, concrete and wood, making the ideal choice for you to set up your screens.

### I Drawing



## I Key Features

- Free-tilting design for wider monitor viewing angles
- VESA standards compliant

## I Specification

<b>Material</b>	Steel, Plastic
<b>Surface Finished</b>	Powder Coating
<b>Color</b>	Black
<b>Dimension</b>	25x479x435mm
<b>Suggested Screen Size</b>	32" - 55"
<b>Metal Sheet Thickness</b>	1.5mm
<b>Load Capacity</b>	35KG
<b>VESA Mount Standard</b>	50x50 75x75 100x100 200x100 100x200 200x200 300x200 200x300 300x300 400x300 300x400 400x200 400x400
<b>Max. VESA</b>	425x410mm
<b>Mounting Hole Pattern</b>	Universal
<b>Distance to Wall</b>	25mm
<b>Screen Freely Tilting</b>	Yes
<b>Tilt Range</b>	-14° ~ 0°
<b>Swivel Range</b>	No
<b>Installation</b>	Single Stud
<b>Wall Plate Type</b>	Fixed Wall Plate
<b>Anti-Theft</b>	No
<b>Cable Management</b>	No

## I Package Contents

- 1 x Wall Mount Bracket
- 1 x Screw Pack
- 1 x Quick Installation Guide

