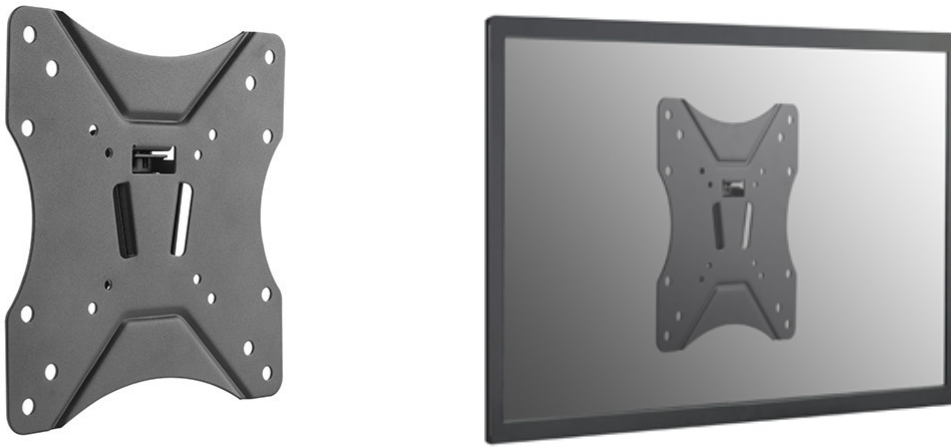


23" - 42" Slim TV Wall Mount Bracket

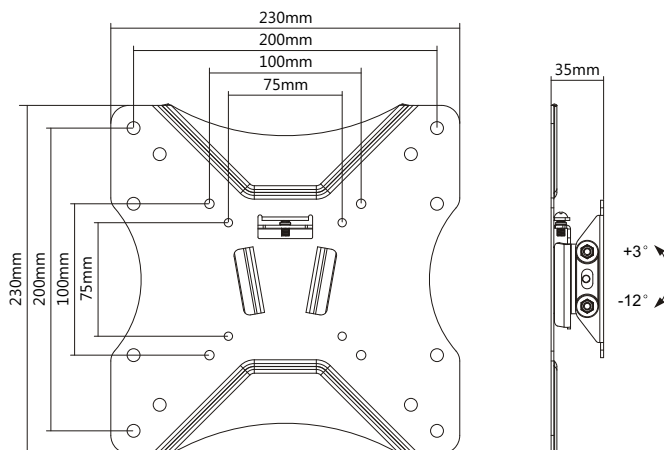
Model No.: 650401



I Overview

The equip® TV Wall Mount Bracket is a compact but sturdy product that ensures a reliable installation of your LCD/Plasma TV. Follow the graphic guide included in the package, you can install your TV on your own with ease. The wall bracket fits most of the wall materials- brick, concrete and wood, making the ideal choice for you to set up your screens.

I Drawing



I Key Features

- Tool free tilt adjustment
- VESA standards compliant

I Specification

Material	Steel
Surface Finished	Powder Coating
Color	Black
Dimension	230x230x35mm
Sheet Metal Thickness	Panel T=1.5mm, Wall Panel T=2mm
Suggested Screen Size	23" - 42"
Support Curved TV	No
Load Capacity	25KG
VESA Mount Standard	75x75, 100x100, 200x100, 200x200
Max. VESA	200x200mm
Mounting Hole Pattern	Standard VESA
Distance to Wall	34mm
Screen Freely Tilting	Yes
Tilt Range	+3° ~ -12°
Panel Type	Detachable Panel
Free Height Adjustable	No
Installation	Single Stud
Wall Plate Type	Fixed Wall Plate
Cable Management	No

I Package Contents

- 1 x Wall Mount Bracket
- 1 x Screw Pack
- 1 x Quick Installation Guide

