

## 32"-55" Universal TV Cart

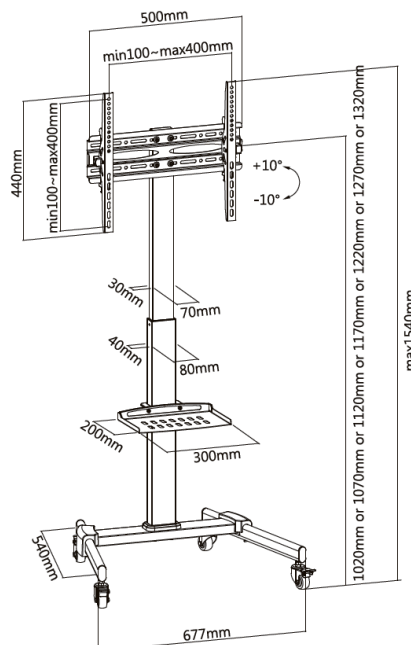
Model No: 650607



### I Overview

The equip® single display TV cart with stylish, technical and functional design to provide solid presentation solution for most LED, LCD flat panel TVs. Its flat panel TV brackets vertically allow effortless height adjustment to match different viewing needs anytime. Freely tilting allows easy angle adjustment and reduces glare from lights or windows to obtain the optimal viewing comfort. Internal cable management hides wires from view to keep a clutter-free appearance. Ideal for conferencing, public displays or other professional presentation.

### I Drawing



## I Key Features

**\*Free-tilting design for multiple monitor viewing angles**

**\*Wheels for mobility, lockable for safety**

**\*Built-in Cable management**

## I Specification

<b>Material</b>	Steel, Plastic
<b>Surface Finished</b>	Powder Coating
<b>Color</b>	Black
<b>Dimension</b>	677x540x1240~1540mm
<b>Pipe Size</b>	80x40x1.5x660mm(outer pipe)/70x30x1.5x740mm(inner pipe)
<b>Suggested Screen Size</b>	32" - 55"
<b>Support Curved TV</b>	Yes
<b>Load Capacity</b>	35KG
<b>VESA Mount Standard</b>	100x100,200x100,200x200,300x200, 300x300,400x200,400x300,400x400
<b>Max. VESA</b>	400 x 400mm
<b>Mounting Hole Pattern</b>	N/A
<b>Distance to Wall</b>	N/A
<b>Screen Freely Tilting</b>	Yes
<b>Tilt Range</b>	-10° ~ +10°
<b>Swivel Range</b>	N/A
<b>Screen Level</b>	N/A
<b>TV Height Adjustable</b>	YES
<b>Wall Plate Type</b>	N/A
<b>Anti-Theft</b>	No
<b>Cable Management</b>	Yes

## I Package Contents

- 1 x Universal TV Cart
- 1 x Screw Pack
- 1 x Quick Installation Guide