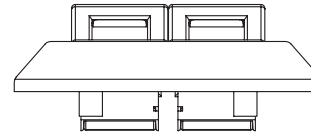
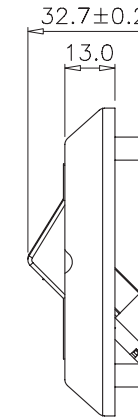
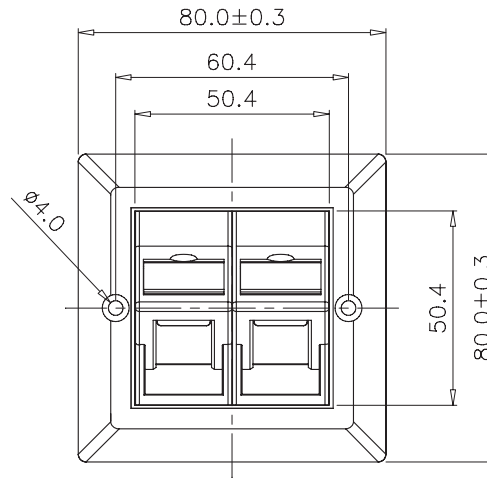


SCALE 1/2



### Specification :

#### Material :

1. Mounted Plate : ABS, UL 94-HB.
2. Modular Bracket :
  - 2-1. 45° Plate : ABS, UL 94-HB.
  - 2-2. Name Plate : Polycarbonate, UL 94V-2, Transparent color.
  - 2-3. Shutter : ABS, UL 94-HB.
  - 2-4. Spring cover : ABS, UL 94-HB.
  - 2-5. Back cover : ABS, UL 94-HB.
  - 2-6. Spring : Stainless steel.
3. Screw : M3.5 x L25.0 mm.

#### GENERAL TOLERANCE OF DIMENSIONS

X.XXX	±0.005
X.XX	±0.05
X.X	±0.1



Universal flush plate for surface mounting box  
for two equip pro keystone jacks