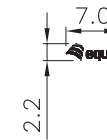
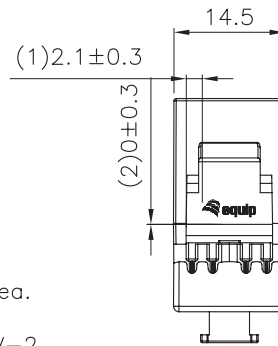
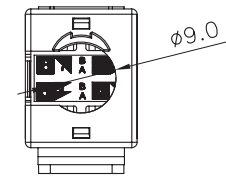
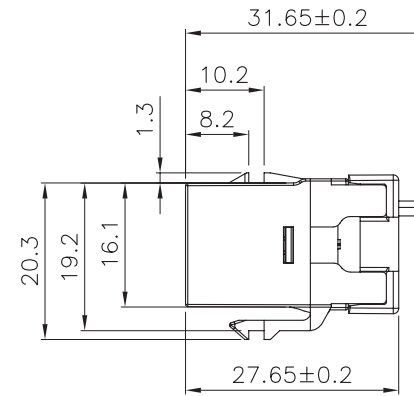
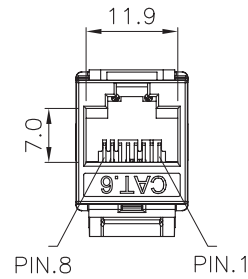


SCALE 1/1



SCALE 1/1

Specification :

Material :

1. RJ45 Jack :
 - 1-1. Housing : ABS+PC, UL 94-V0, Black color.
 - 1-2. Contact Bracket : PC, UL 94-V2, Transparent color.
2. RJ45 Jack Contact :
 - 2-1. Material : Phosphor Bronze with Nickel plated.
 - 2-2. Finish : 50 micro-inch Gold plated on Plug contact area.
3. IDC :
 - 3-1. Housing : PC+Glass Fiber, Grey color(RAL7035), UL 94V-2.
 - 3-2. Terminal : Phosphor Bronze with Tin plated.
4. IDC Cap : PC+Glass Fiber, UL 94-HB, White color.
5. PCB : FR4, UL 94V-0.

Performance :

- a. T568A & T568B wiring.
- b. Insertion Force : 20N max. (IEC 60603-7-4).
- c. Retention Strength : 7.7 kg between Jack and Plug.
- d. Operating Temperature : -10°C to 60°C. (ISO/IEC 11801, ANSI/TIA/EIA 568 B.2).
- e. Life(mating cycles) :
 - e-1. Jack : 750 cycles min. (ISO/IEC 11801, IEC 60603-7-4.)
 - e-2. IDC : Suitable for 23-26 AWG solid wire, compatible with both 110 & Krone punch down tools.
- f. The Cat.6 transmission performance is in compliance with the ANSI/TIA/EIA 568 B.2-1 standard.

GENERAL TOLERANCE OF DIMENSIONS X.XXX ±0.005 X.XX ±0.05 X.X ±0.1	DRAWING	19.JAN.2011	Abby	
	CHECK	19.JAN.2011	Maer	
	APPROVAL	19.JAN.2011	YTY	
	DATE	NAME	ITEM NO.:	769112
SCALE	1/1 (A4)	UNIT	mm	DES.: CAT.6 FULL UNSHIELDED KEYSTONE JACK
	DRAWING NO.			
	DRAWING CLASSIFICATION		S	SHEET 1 OF 1