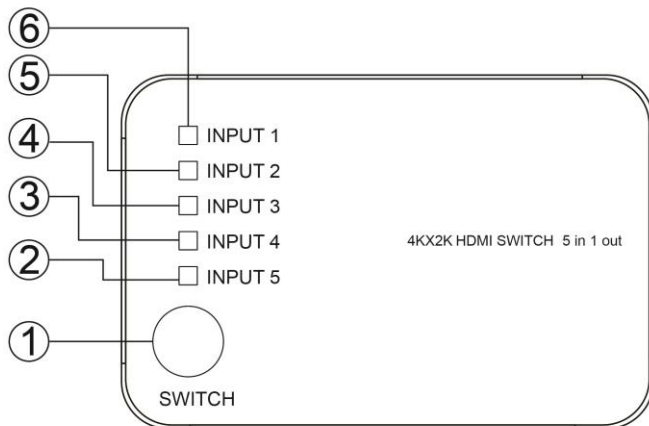


332722

HDMI1.4 Switch 5x 1

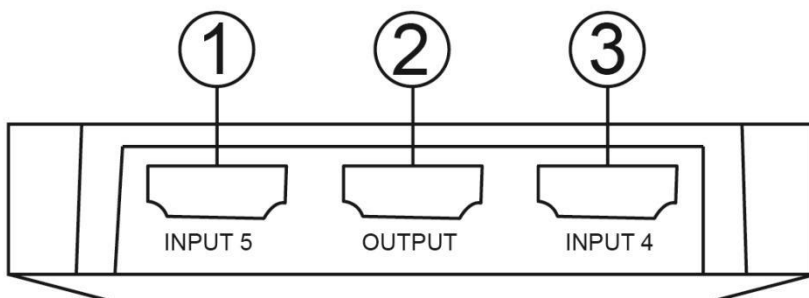
Switch Operation controls and Functions

1. Switch: Press button to switch input sources
- 2~6. LED: Indicates active HDMI source



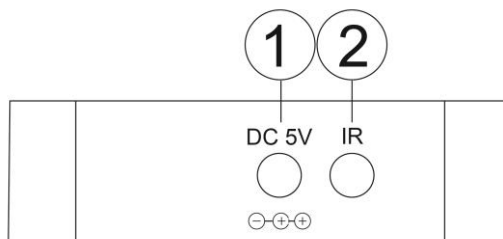
Front:

- 1 & 3. HDMI input: Connect DVD, PS4, Set-top Box with HDMI cable
2. HDMI Output: Connect to HDTV or monitor with HDMI cable



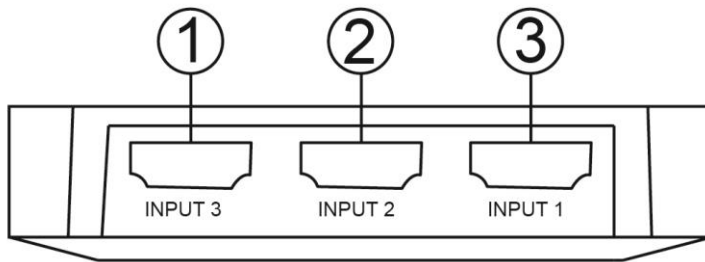
Right Panel:

1. DC In
2. IR Socket

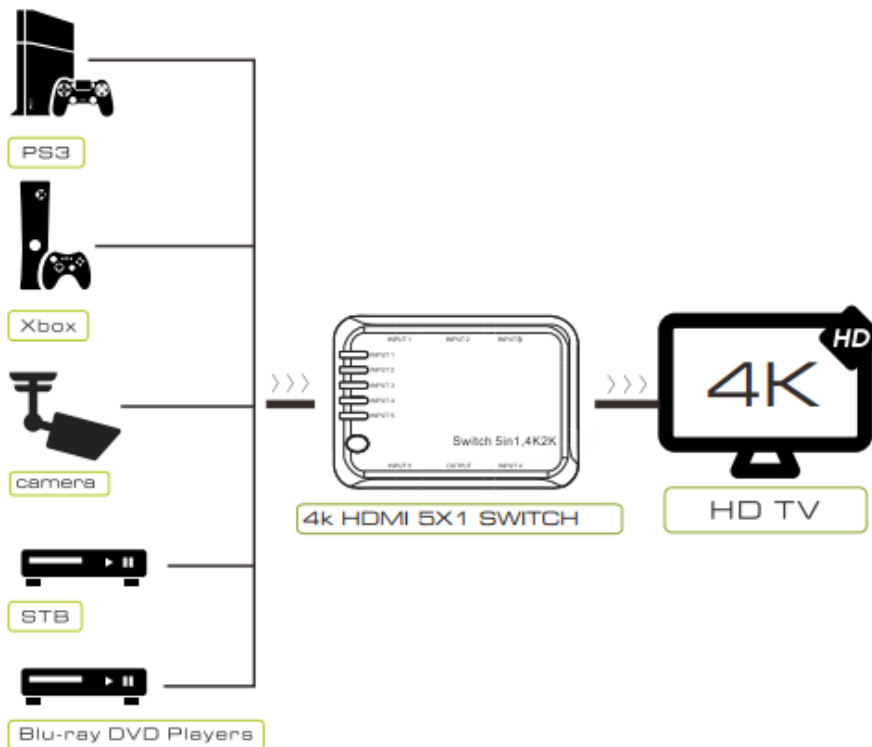


Rear:

1~3. HDMI input: Connect DVD, PS4, Set-top Box with HDMI cable



Connection diagram



Package Contents:

- 1.HDMI Switch.....1pcs
- 2.USB to DC Power Supply cable.....1pcs
- 3.Remote Controller.....1pcs
- 4.IR Receive Extend cable.....1pcs
- 4.Operation Manual.....1pcs