

WIRELESS PRESENTER with FLASHLIGHT

610027

■ **General introduction**

Product features

This Wireless Presenter is a 3-in-1 product integrating **Laser pointer**, **PowerPoint slide control** and **LED lighting** function. In addition to its ergonomic shape design, we added continued slide page up and down function which assists you be more comfortable and professional at PowerPoint presentation occasion, especially the integrated white LED lighting function ensures no miss of your important idea or point even in the dark presentation location!

Now just insert the batteries, plug the USB receiver and start to enjoy this plug-and-play, all-direction and up-to-50M control distance device!!

Package contents

- | | | | |
|---|-----|--|-----|
| <input type="checkbox"/> Wireless Presenter | x 1 | <input type="checkbox"/> AAA Battery | x 2 |
| <input type="checkbox"/> USB Receiver | x 1 | <input type="checkbox"/> User's Manual | x 1 |

System Requirements

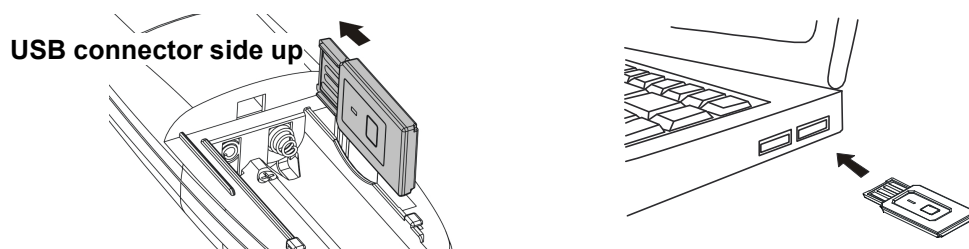
- Windows® 2000 / XP / Vista / 7 & PowerPoint® 2000 (or later) for Windows
- Mac OS® X v.10.4 (or later) & PowerPoint® X (or later) for Mac
- Available USB port

■ **Preparations to use**

Take out USB receiver and plug it to your PC USB port

The USB receiver is stored in the battery chamber. Open the battery cover, take the USB receiver out and plug it to your PC USB port.

Note When you put the USB receiver into the battery chamber, please note its storing direction.



Note For first use this product on **Mac PC**, you may need to do following setting for normal use :

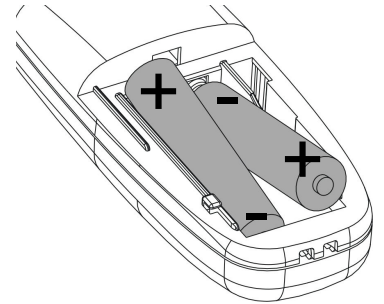
Plug in USB receiver → Keyboard Setup Assistant → Click “Continue” → Identify Your Keyboard → Press any key on the keyboard → Select “Skip” → Choose “ANSI” → Click “Done” button

Insert the batteries

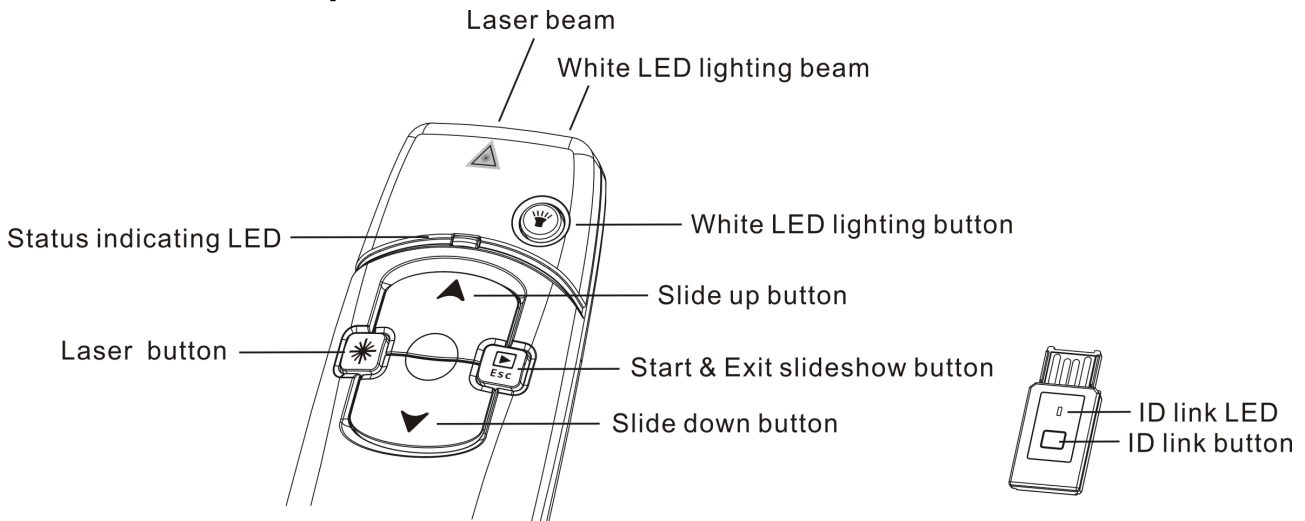
Open the battery cover and insert the supplied batteries with correct polarity. Now you can use this product.

Note After inserted batteries, the laser function will become available.

Please pay attention not point to any other person’s eyes when pressing the laser button.



Function and operation



Icon	Function and operation
	Press this button to shoot laser beam
	(1) Click this button to go to previous slide (2) Press and hold over 1 second to start continued slide up at speed about 2~3 slides per second. Release your finger to stop slide up
 Esc	(1) Click to start the slide show from the 1 st page (2) Press and hold over 1 second to exit the slide show
	(1) Click this button to go to next slide (2) Press and hold over 1 second to start continued slide down at speed about 2~3 slides per second. Release your finger to stop slide down
	Press this button to shoot white LED light
Status indicating LED	(1) Light up when pressing the laser button (2) Quick blink in 5 times after pressed any function key when battery power is detected low. Please replace with new batteries soon for a stable control.

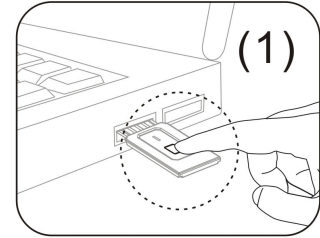
Note To avoid battery power consumption due to unintentional touch, any key function will be automatically stopped after a continued pressing over 30 seconds!

ID Link

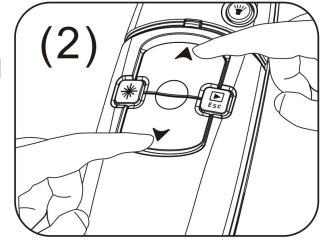
No need to conduct ID link process whenever you want to use this product, **UNLESS** battery power is normal and USB receiver is within connection distance but the product cannot be operated OR when you want to use plural of

this product at the same time. Please conduct following 2 steps to shun interference :

(1) Click the ID Link button on USB receiver and its red LED will light up and enter into **20-second** ID link stand-by time. **Note** If pressing again the ID Link button during 20-second stand-by time, ID link action will be discontinued.



(2) Within the 20-second stand-by time, press ▲ and ▼ simultaneously until the red LED of USB receiver becomes blinking for 3 times, the ID link has been successfully done.



■ **Trouble shooting**

Question	Possible cause	How to resolve
Need to install software for first use of this product?		No need
Need to link ID before first use?		No need
Possible to use 2 or more of this product in a room at the same time?		Yes, but please implement ID Link in advance to avoid interference (see " ID Link " for how to link)
Possible to use one presenter with 2 or more USB receivers?		Yes but only when the presenter and USB receivers are not conducted ID Link
Laser pointer malfunction	1. Continued pressing of the laser button over 30 second 2. Battery power is running out	1. Press the laser button again 2. Replace with new batteries
Remote control malfunction	1. Continued pressing of the function button over 30 seconds 2. Interfered by other RF signal	1. Press the function button again 2. To Implement ID Link (see " ID Link " for how to link)
Laser pointer and remote control both malfunction	Batteries are inserted in wrong direction or battery power run out	Check the insert direction of batteries and battery power

■ **Specifications** (**Note** Design and specifications are subject to change without notice.)

Frequency range : 2400~2483MHz

Remote range : Approx. 160 feet (50 meters) line of sight

Operating voltage : 2.4V~3.2V

Power consumption: Normal operation < 10mA; Red laser operation < 30mA ; Sleep < 10uA

Power : AAA battery x 2

Output power : Under 1mW

Size : Presenter – 115 (L) x 38 (W) x 25 (H) mm ; USB receiver - 33.6 (L) x 16 (W) x 3.5 (H) mm

Weight : Approx. 33 grams (include USB receiver and Red laser)

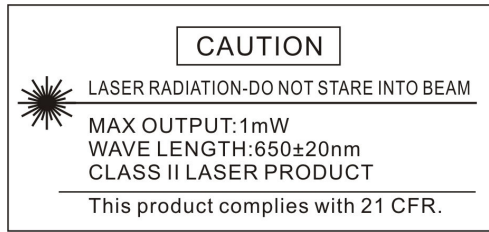
Operating temperature : 0°C (32°F) ~ 60°C (140°F)

Operating humidity (non-condensing) : 10%~85% RH

Red Laser : Semiconductor laser ($\lambda = 650\text{nm}$), Emission duration : Continuous

Laser output power : Max. 0.95mW

IMPORTANT SAFETY AND HEALTH INFORMATION



Laser beam can cause permanent damage to eyes. Do not look into the laser beam or shine the laser beam into your eyes, other peoples' eyes, or pet's eyes.

Keep this device away from Children. This is a working tool, not a toy or entertainment device. It should only be used by adults.

FEDERAL COMMUNICATIONS COMMISSION

This device complies with Part 15 of the FCC Rules. Operation is subject to the following two conditions: (1) this device may not cause harmful interference, and (2) this device must accept any interference received, including interference that may cause undesired operation.

NOTE

This equipment has been tested and found to comply with the limits for a Class B digital device, pursuant to Part 15 of the FCC Rules. These limits are designed to provide reasonable protection against harmful interference in a residential installation. This equipment generates, uses and can radiated radio frequency energy and, if not installed and used in accordance with the instructions, may cause harmful interference to radio communications. However, there is no guarantee that interference will not occur in a particular installation. If this equipment does cause harmful interference to radio or television reception, which can be determined by turning the equipment off and on, the user is encouraged to try to correct the interference by one or more of the following measures:

- Reorient or relocate the receiving antenna.
- Increase the separation between the equipment and receiver.
- Connect the equipment into an outlet on a circuit different from that to which the receiver is connected.
- Consult the dealer or an experienced radio/TV technician for help.

Changes or modifications not expressly approved by the party responsible for compliance could void the user's authority to operate the equipment.

This device and its antenna(s) must not be co-located or operating in conjunction with any other antenna or transmitter.

EU DECLARATION OF CONFORMITY

This product is carrying the CE-Mark in accordance with the related European Directives.

Trademarks

Windows, Windows Vista, Microsoft and PowerPoint are registered trademarks of Microsoft Corporation. Mac, Mac OS are registered trademarks of Apple, Inc. Other trademarks and registered trademarks not listed above may be used in this manual.

